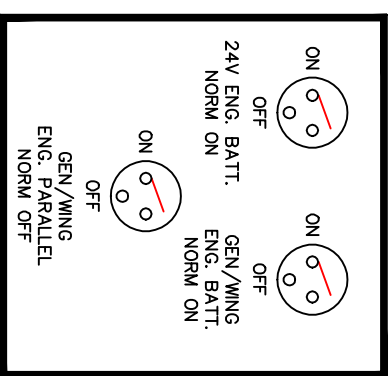
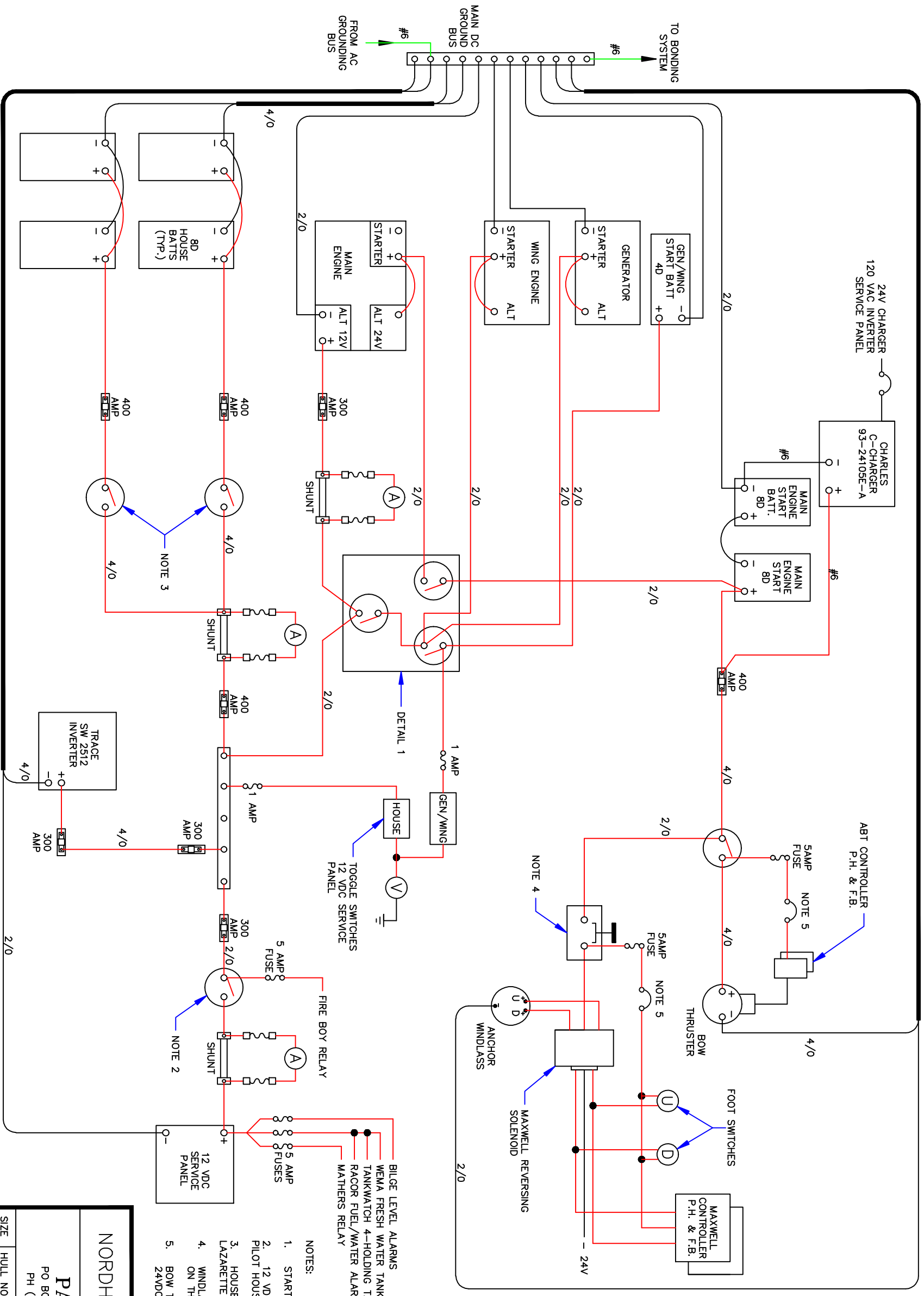


REVISIONS			
REV	DESCRIPTION	DATE	REV BY
0	INITIAL ISSUE	08-05-03	TC



DETAIL 1  
BATTERY SWITCH PANEL

- NOTES:
1. STARTING BATTERY SWITCH POWER LOCATED IN THE ENGINE ROOM.
  2. 12 VDC SERVICE PANEL DISCONNECT SWITCH MOUNTED BEHIND THE PILOT HOUSE PANEL.
  3. HOUSE BATTERY DISCONNECT SWITCHES ARE LOCATED ON THE LAZARETTE FORWARD BULKHEAD.
  4. WINDLASS AND BOW THRUSTER DISCONNECT SWITCHES ARE MOUNTED ON THE FORWARD SIDE OF THE MASTER BERTH.
  5. BOW THRUSTER AND WINDLASS CIRCUIT BREAKERS LOCATED ON 24VDC SERVICE BUS IN PILOT HOUSE.

NORDHAVN 50 DC ELECTRICAL SYSTEM

PACIFIC ASIAN ENTERPRISES

PO BOX 874, AT-THE HARBOR, DANA POINT, CALIFORNIA 92629  
PH (949)496-4848 FAX (949)240-2398

SIZE	HULL NO.	DWG NO.	DWG.
B	NS025	NS00CS-5025	TC
SCALE:	NTS	DATE: SEE ABOVE	REV: SEE ABOVE
SHEET: 1 OF 1			