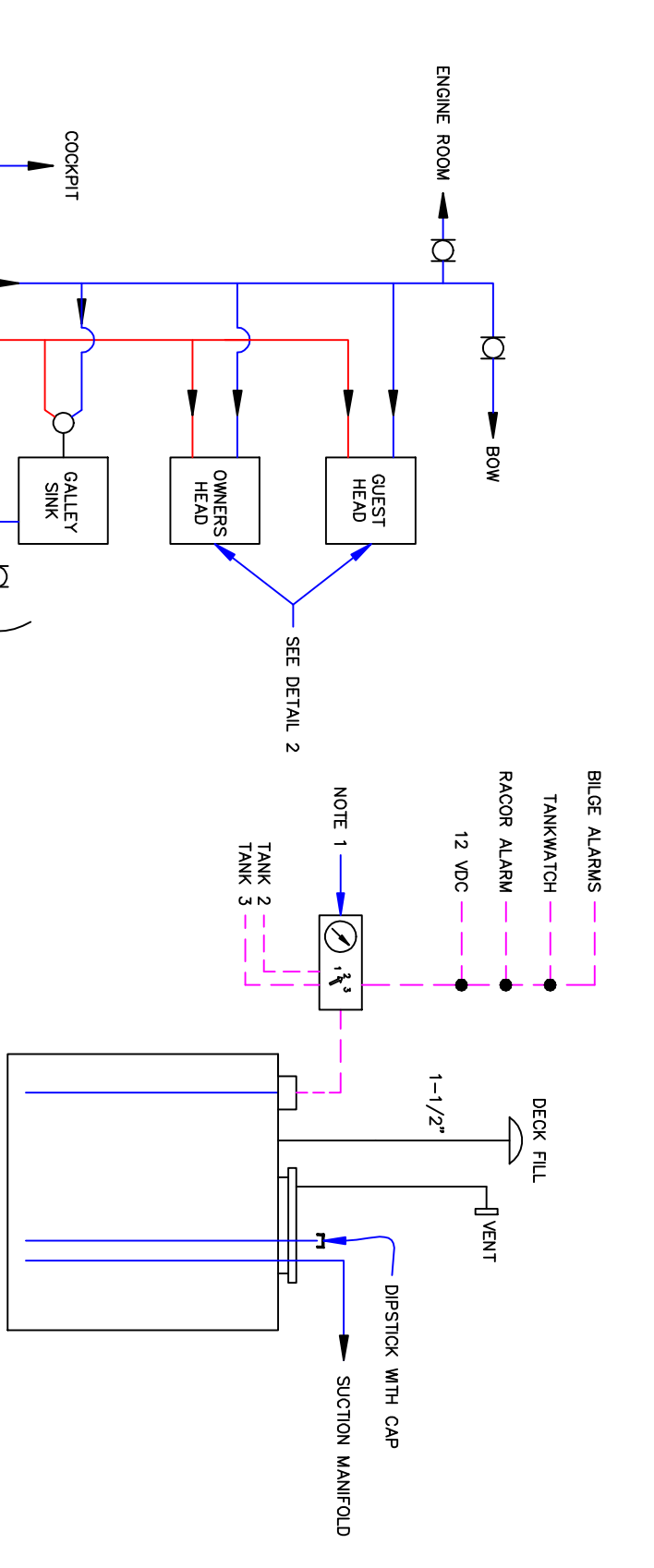
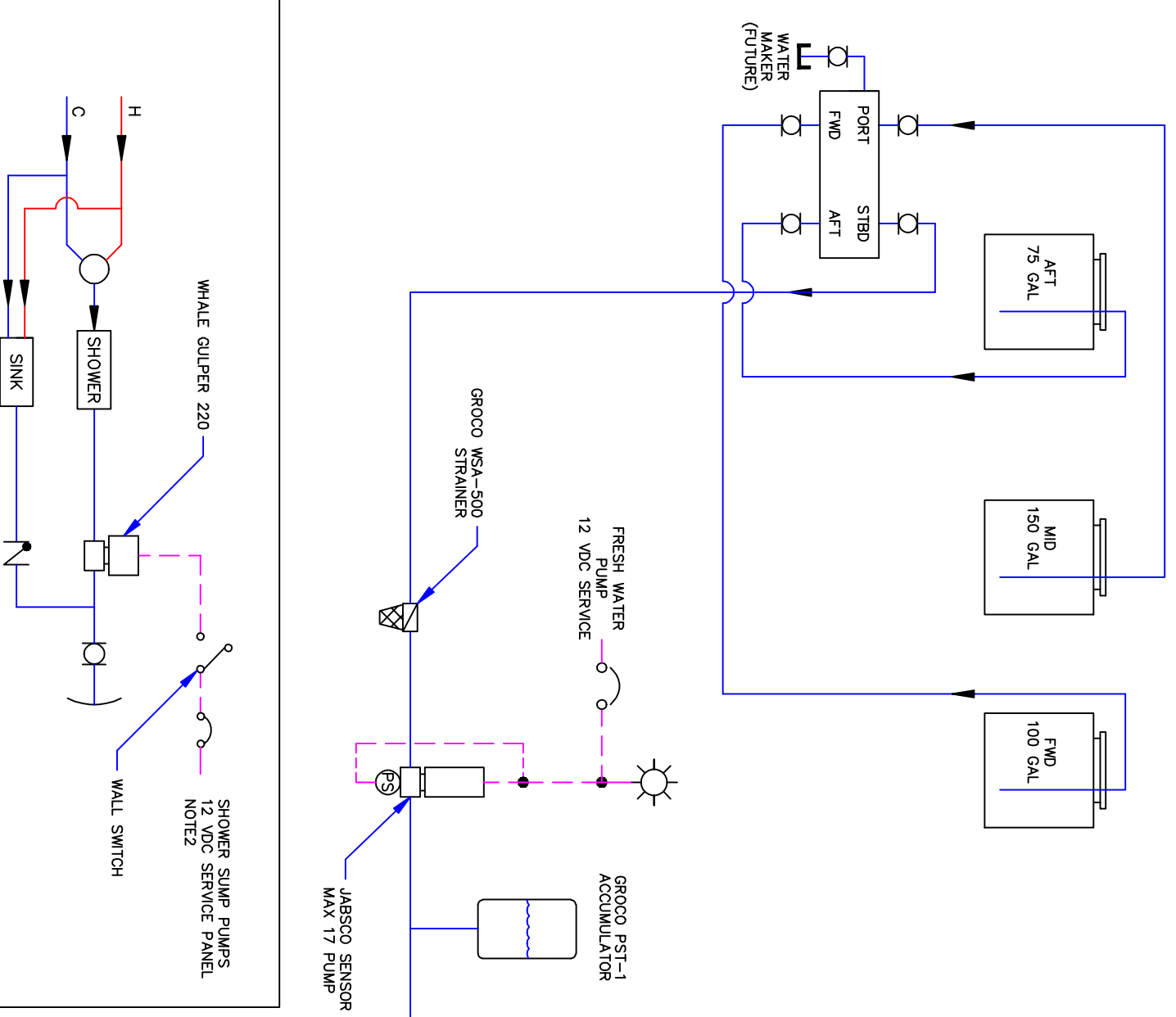
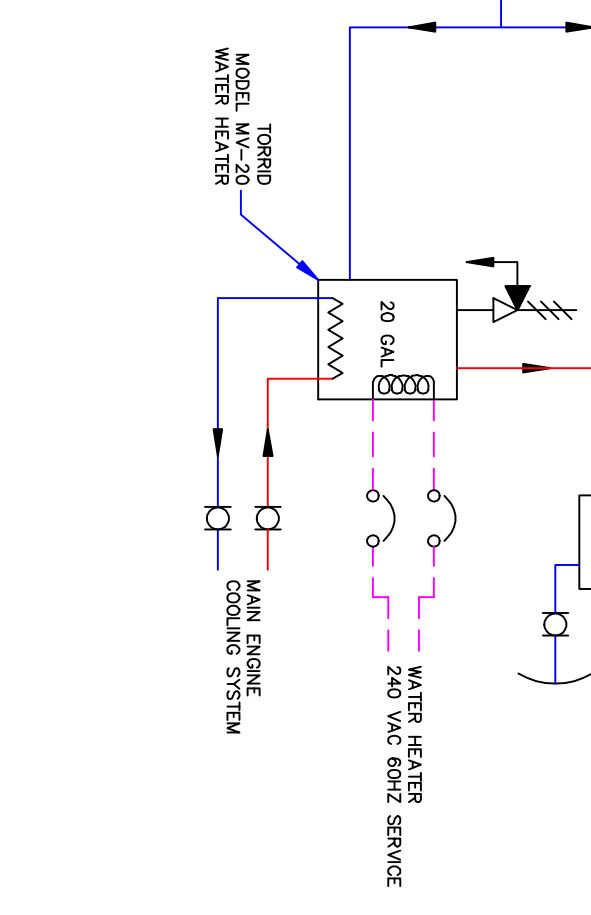


REVISIONS			
REV	DESCRIPTION	DATE	REV BY
0	INITIAL ISSUE	08-05-03	TC



DETAIL 1 - FRESH WATER TANK  
(TYPICAL OF 3)

- NOTES:
1. WEMA TANK LEVEL INDICATION SYSTEM ON FORWARD BULKHEAD IN MASTER STATEROOM HEAD.
  2. SHOWER SUMP PUMPS CIRCUIT BREAKER IS SHARED BY BOTH PUMPS. LOCAL TOGGLE SWITCH IS PROVIDED FOR EACH PUMP.
  3. ALL HOSES ARE 1/2" UNLESS NOTED.
  4. ADDITIONAL BRANCH LINE ISOLATOR VALVES ARE NOT SHOWN



DETAIL 2 - HEADS SCHEMATIC  
(TYP.)

NORDHAVN 50 FRESH WATER SYSTEM

PACIFIC ASIAN ENTERPRISES

PO BOX 874, AT-THE HARBOR, DANA POINT, CALIFORNIA 92629  
PH (949)496-4848 FAX (949)240-2398

SIZE	PRJ. NO.	DWG NO.	DWG.
B	N5025	50FWS-5025	TC
SCALE:	DATE:	REV:	SHEET:
NTS	SEE ABOVE	SEE ABOVE	1 OF 1