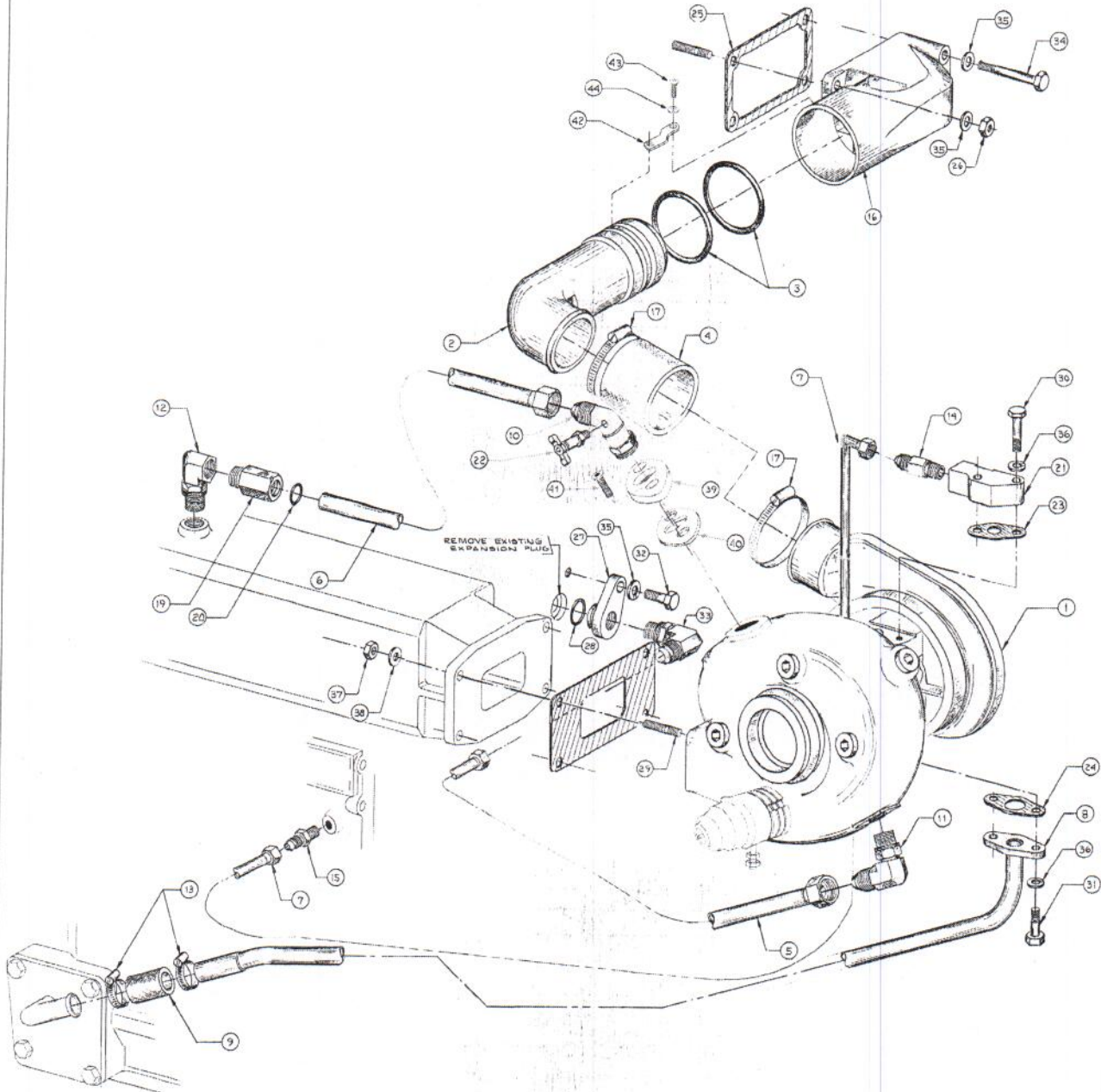


K31 Turbocharger & Mounting SAE #3 Flywheel Hsg. L6108A2

All Models Emissions Certified from year 2000



A-5856, A-7440A / D-3436

K31 Turbocharger & Mounting SAE #3 Flywheel Hsg. L6108A2

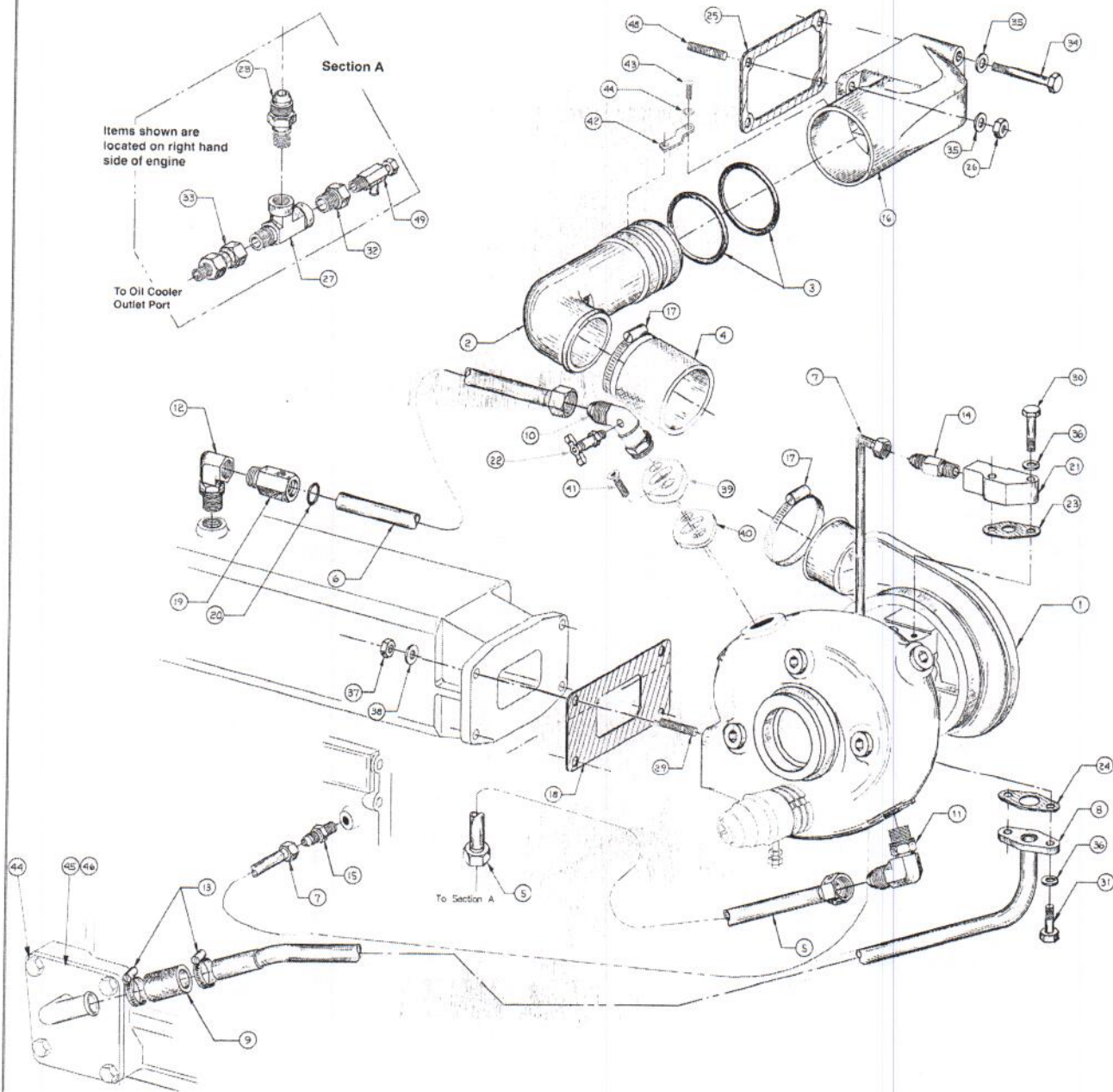
All Models Emissions Certified from year 2000

KEY	PART NUMBER	QTY	DESCRIPTION	SERIAL #
1	30-35703	1	Turbocharger Assembly K31 (parts not listed separately - contact dealer or factory)	-
2	10-25706	1	Air Inlet Connector	-
3	16-25701	2	O-Ring	-
4	18-25702	1	Hose 3" ID x 2-3/4" Silicone	-
5	27-15724	1	Tube Assembly, Turbo Coolant Supply	-
6	27-15726	1	Tube Assembly, Turbo Coolant Return	-
7	27-35724	1	Tube Assembly, Turbo Oil Supply	-
8	27-35726	1	Tube, Turbo Oil Return	-
9	18-05000	1	Hose, 7/8" ID x 2-3/4"	-
10	21-15716	1	Male Elbow 45°, Steel 5/8 O-Ring Port x 3/4-37T	-
11	21-14801	1	Male Elbow 90°, Steel M22 x 1.5 x 3/4-37T	-
12	21-03459	1	Female Elbow, 90°, 5/8 O-Ring Port x 1/2 NPT	-
13	19-00016	2	Hose Clamp #16	-
14	21-52800	1	Male Connector, Steel, 3/8 NPT x 3/8-37T	-
15	21-05703	1	Male Connector, Steel 1/4 BSPT x 3/8-37T	-
16	10-25701	1	Connector, Air Inlet	-
17	19-02048	2	Hose Clamp #48 (Constant Tension type)	-
18	11-31615	1	Gasket	-
19	R41285	1	Adapter	-
20	16-01000	1	O-Ring	-
21	R43928	1	Oil Feed Adapter	-
22	21-10001	1	Drain Cock, Brass 1/8 NPT	-
23	11-31012	1	Gasket	-
24	11-31031	1	Gasket	-
25	11-25701	1	Gasket, Inlet Connector Mounting	-
26	14-00816	2	Hex Nut M10 x 1.25	-
27	31-15701	1	Adapter, Turbo Coolant Connection	-
28	16-15702	1	O-Ring	-
29	13-00814	4	Stud, M10 x 1.5 x 30 mm	-
30	12-00714	2	Capscrew, Hex Head M8 x 1.25 x 40 mm	-
31	12-00712	2	Capscrew, Hex Head M8 x 1.25 x 25 mm	-
32	12-00953	1	Capscrew, Hex Head M12 x 1.75 x 30 mm	-
33	21-62600	1	Male Elbow, 90° Steel 5/8 OR Port x 3/4-37T	-
34	12-00071	2	Capscrew, Hex Head M10 x 1.5 x 70 mm	-
35	15-00805	4	Flat Washer M10	-
36	15-00702	4	Lock Washer, Helical M8	-
37	14-00810	4	Hex Nut M10 x 1.5	-
38	15-00803	4	Lock Washer, Hi-Collar M10	-
39	31-15703	1	Adapter	-
40	11-15704	1	Gasket	-
41	12-11131	2	Capscrew, Flat Head Socket M6 x 1.0 x 20 mm (formerly 25 mm LOA)	-
42	28-25701	1	Strap	-
43	12-04406	2	Capscrew, Hex Head M5 x 0.8 x 12 mm	-
44	15-00027	2	Flat Washer M5	-
45	28-05701	1	Cover	-
46	6136-21-7811	1	Gasket	-
47	01435-21025	4	Capscrew, Hex Head, Flanged M10 x 1.5 x 25 mm	-
48	01140-61025	2	Stud, M10 x 1.5 x M10 x 1.25 x 25 mm (32 mm LOA)	-

GROUP 2 - INTAKE & EXHAUST SYSTEM

K31 Turbocharger & Mounting SAE #1 Flywheel Hsg. L6108A2

All Models Emissions Certified from year 2000



A-5856, A-7440A / D-3437

K31 Turbocharger & Mounting SAE #1 Flywheel Hsg. L6108A2

All Models Emissions Certified from year 2000

KEY	PART NUMBER	QTY	DESCRIPTION	S/N
1	30-35703	1	Turbocharger Assembly K31 (parts not listed separately - contact dealer or factory)	-
2	10-25706	1	Air Inlet Connector	-
3	16-25701	2	O-ring	-
4	18-25702	1	Hose 3" ID x 2-3/4" Silicone	-
5	27-15727	1	Tube Assembly, Turbo Coolant Supply	-
6	27-15726	1	Tube Assembly, Turbo Coolant Return	-
7	27-35724	1	Tube Assembly, Turbo Oil Supply	-
8	27-35726	1	Tube, Turbo Oil Return	-
9	18-05000	1	Hose, 7/8 ID x 2-3/4"	-
10	21-15716	1	Male Elbow 45°, Steel 5/8 O-ring Port x 1.5 x 3/4-37T (tapped 1/8 NPT)	-
11	21-14801	1	Male Elbow 90°, Steel M22 x 1.5 x 3/4-37T	-
12	21-03459	1	Female Elbow, 90°, Steel 5/8 O-ring Port x 1/2 NPT	-
13	19-00016	2	Hose Clamp #16	-
14	21-52800	1	Male Connector, Steel 3/8 NPT x 3/8-37T	-
15	21-05703	1	Male Connector, Steel 1/4 BSPT x 3/8-37T	-
16	10-25701	1	Connector, Air Inlet	-
17	19-02048	2	Hose Clamp #48 (constant tension type)	-
18	11-31615	1	Gasket	-
19	R41285	1	Adapter	-
20	16-01000	1	O-Ring	-
21	R43928	1	Oil Feed Adapter	-
22	21-10001	1	Drain Cock, Brass 1/8 NPT	-
23	11-31012	1	Gasket	-
24	11-31031	1	Gasket	-
25	11-25701	1	Gasket, Inlet Connector Mounting	-
26	14-00816	2	Hex Nut M10 x 1.25	-
27	21-15712	1	Street Tee, Steel 5/8-37T x 1/2 NPT	-
28	21-35002	1	Male Connector, Steel 1/2 NPT x 3/4-37T	-
29	12-00814	4	Stud, M10 x 1.5 x 30 mm	-
30	12-00714	2	Capscrew, Hex Head M8 x 1.25 x 40 mm	-
31	12-00712	2	Capscrew, Hex Head M8 x 1.25 x 25 mm	-
32	21-00134	1	Bushing	-
33	21-15711	1	Female Connector, Steel 5/8-37T Swivel x 3/8 NPT	-
34	12-00071	2	Capscrew, Hex Head M10 x 1.5 x 70 mm	-
35	15-00805	8	Flat Washer M10	-
36	15-00702	4	Lock Washer, Helical M8	-
37	14-00810	4	Hex Nut M10 x 1.5	-
38	15-00803	4	Lock Washer, Hi-collar M10	-
39	31-15703	1	Adapter	-
40	11-15704	1	Gasket	-
41	12-11131	2	Capscrew, Flathead Socket M6 x 1.0 x 20 mm (formerly 25 mm LOA)	-
42	28-25701	1	Strap	-
43	12-04406	2	Capscrew, Hex Head M5 x 0.8 x 12 mm	-
44	15-00027	2	Flat Washer M5	-
45	28-05701	1	Cover	-
46	6136-21-7811	1	Gasket	-
47	01435-21025	4	Capscrew, Hex Head, Flanged M10 x 1.5 x 25 mm	-
48	01140-61025	2	Stud, M10 x 1.5 x M10 x 1.25 x 25 mm (32 mm LOA)	-
49	6140-61-6512	1	Drain Cock	-